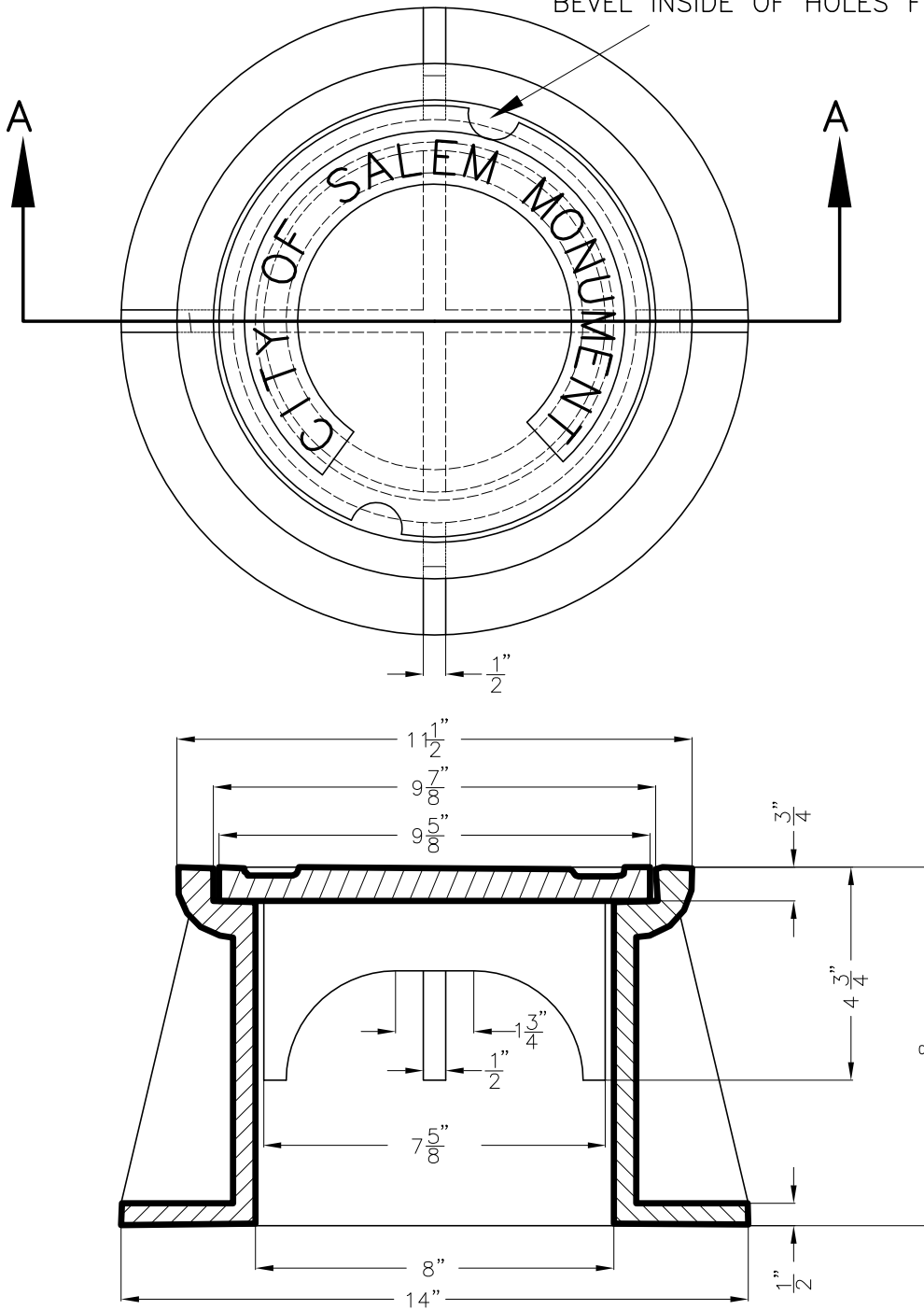


TWO 1" X 1/2" LIFT HOLES 180° APART  
BEVEL INSIDE OF HOLES FOR EASIER LIFTING



SECTION A-A

**NOTES:**

1. MATERIAL SHALL BE A.S.T.M. A-48 GRAY CAST IRON, CLASS 30.
2. APPROX. WEIGHT: FRAME 56 LBS., COVER 20 LBS.

Approved Karl O. Gouzer 9-15-99  
City Engineer Date

|   |        |
|---|--------|
| CITY OF SALEM<br>DEPARTMENT OF PUBLIC WORKS |        |
| STANDARD PLAN                               |        |
| MONUMENT BOX CASTING DETAIL                 |        |
| DRAWN BY GS                                 | NO.009 |
| CHECKED BY D.W.                             |        |

| No. | Description         | Date | By | Appr |
|-----|---------------------|------|----|------|
|     | CONVERT TO CAD DWG. | 1/98 |    |      |
|     | REVISION            |      |    |      |