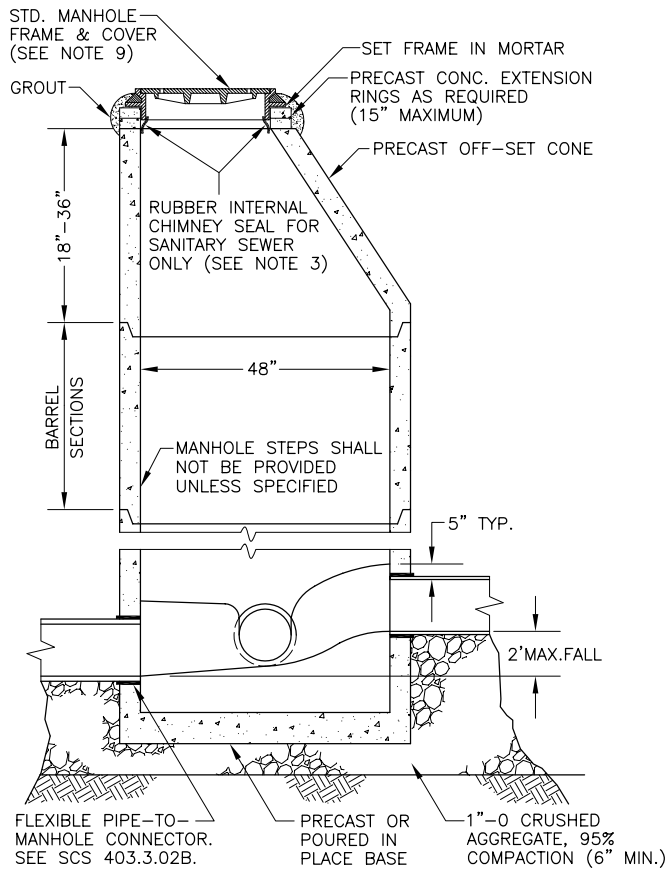


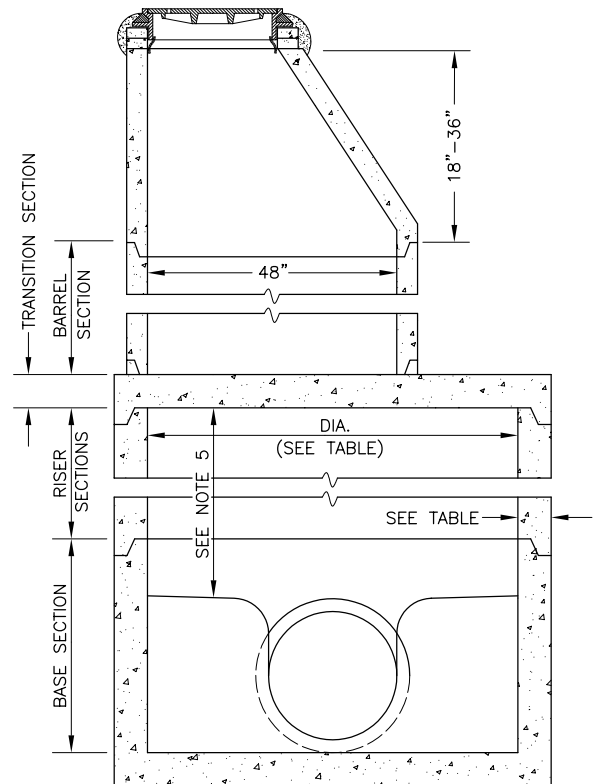
**NOTES:**

1. CONCENTRIC CONE ALLOWED ONLY WHEN SPECIFIED.
2. FLEXIBLE PIPE-TO-MANHOLE CONNECTIONS SHALL BE INSTALLED ACCORDING TO MANUFACTURES SPECIFICATIONS.
3. INTERNAL RUBBER CHIMNEY SEAL SHALL BE FLEX-SEAL OR CRETEX OR APPROVED EQUAL. THE CHIMNEY SEAL MAY BE DELETED WHEN MANHOLE IS ADJUSTED AFTER PAVING PER STD. PLAN No.104.
4. WATER TIGHT JOINTS (GROUT JOINTS SMOOTH AT MANHOLE INTERIOR).
5. FOR ALTERNATE MANHOLE CONFIGURATION, PROVIDE 8 FT. OF HEADROOM WHENEVER POSSIBLE.
6. POSITION MANHOLE LID OVER OUTLET PIPE.
7. ALL SECTIONS MUST MEET OR EXCEED ASTM C 478.
8. FLAT-TOP MANHOLE ACCEPTABLE ALTERNATE (SEE STD. PLAN NO. 211)
9. SEE STD. PLAN No.107. LOCK-DOWN MANHOLE COVERS PER STD. PLAN No.117 REQUIRED WHEN MANHOLES ARE LOCATED OUTSIDE OF PUBLIC RIGHT-OF-WAY.

TABLE		
PIPE SIZE	MANHOLE DIAMETER	WALL THICKNESS
≤21"	48"	5"
24"-30"	60"	6"
36"-42"	72"	7"
48"-54"	84"	8"



**STANDARD MANHOLE CONFIGURATION**



**ALTERNATE MANHOLE CONFIGURATION**

Approved Karl O. Sauter  
City Engineer

5-18-04  
Date

**CITY OF SALEM  
DEPARTMENT OF PUBLIC WORKS**

STANDARD PLAN  
MANHOLE

Description	Date
CHANGED NOTE ON ALTERNATE CONFIG.	5/04
ALLOWED LOW PROFILE CONE SECTION	4/01
REVISION	

LAST REV. BY: DTN  
CHECKED BY: DEW

**NO.101**