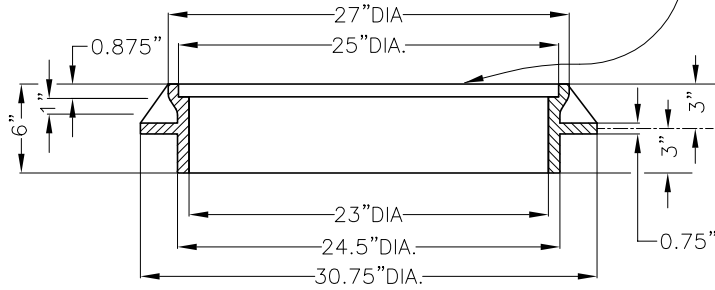
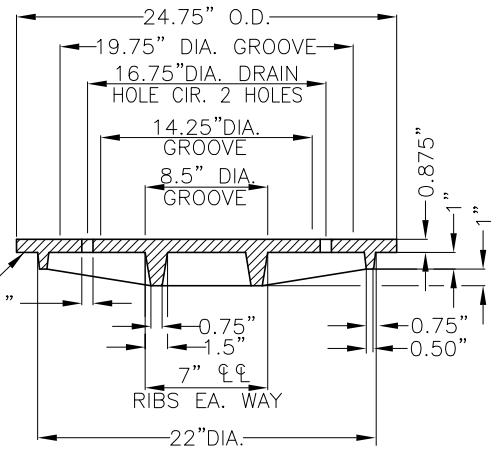


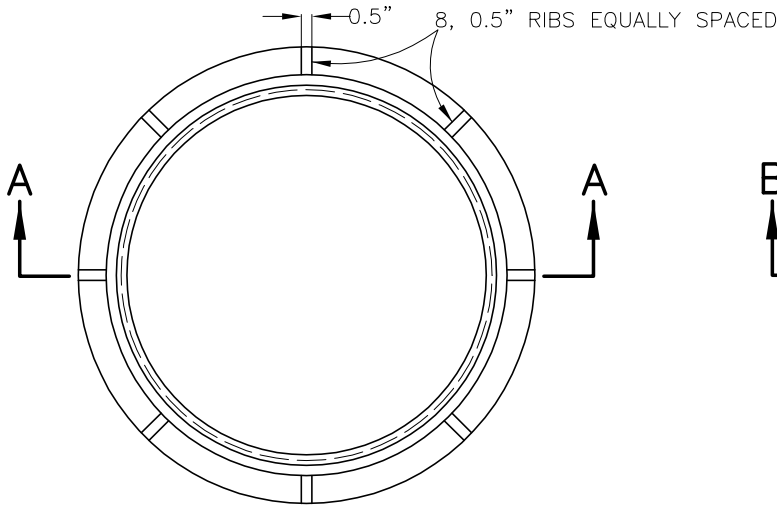
COVER & FRAME TO BE MACHINED FOR TRUE BEARING



SECTION A-A

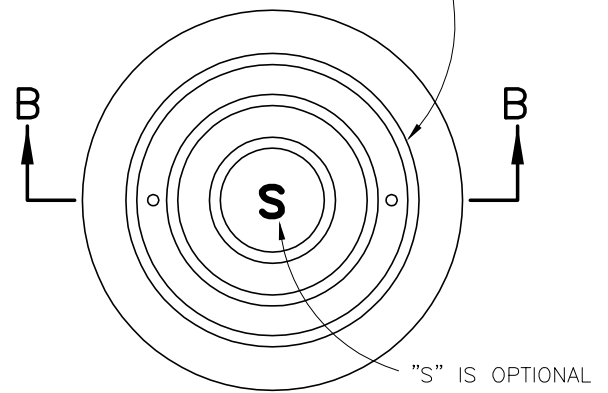


SECTION B-B

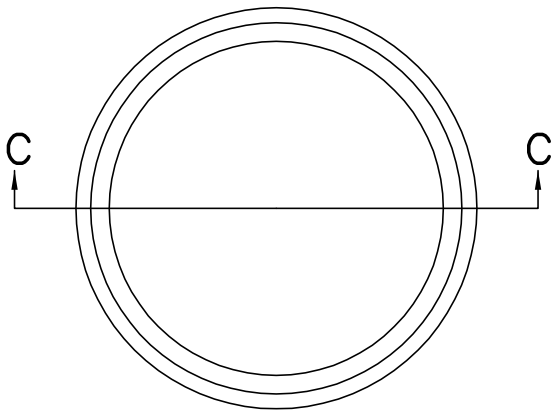


MANHOLE FRAME

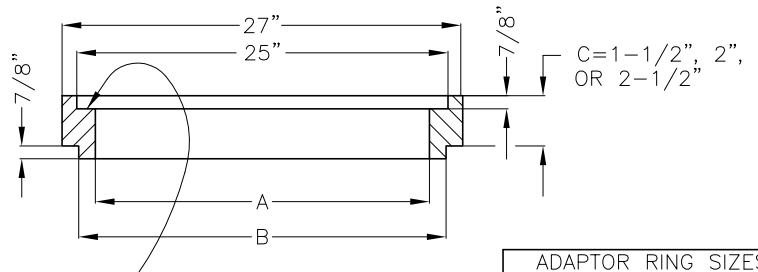
GROOVES—WIDTH 1", DEPTH 0.25"



MANHOLE COVER



ADAPTOR RING



MACHINE FINISH FOR TRUE BEARING

SECTION C-C

ADAPTOR RING SIZES	
	24" 25"
A	22-1/2" 23"
B	23-3/4" 24-3/4"

- MATERIAL: ASTM A-48B CLASS 30 CAST IRON
- STEEL PIVOTED EXPANDABLE MANHOLE RISER BY AMERICAN HIGHWAY PRODUCTS OR APPROVED EQUAL IS ALSO ACCEPTABLE.

Approved *Karl O. Schuster* City Engineer 3-1-02 Date

CITY OF SALEM
DEPARTMENT OF PUBLIC WORKS

STANDARD PLAN
MANHOLE CASTING DETAIL

DRAWN BY GS

CHECKED BY D.W.

NO. 107

No.	Description	Date	By	Appr
2	ADD PIVOTED EXPANDABLE RISER	10/01	IDF	
1	CONVERT TO CAD DWG.			
REVISION				