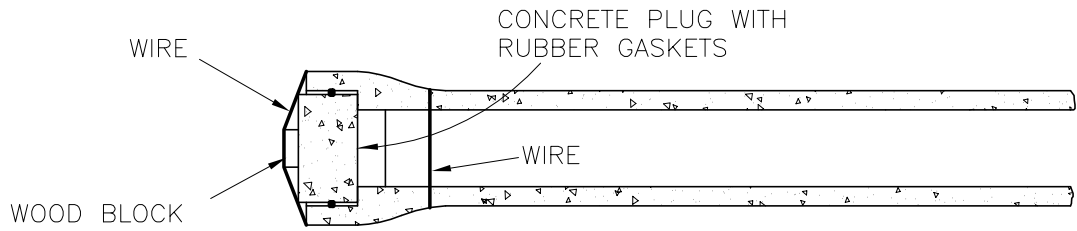
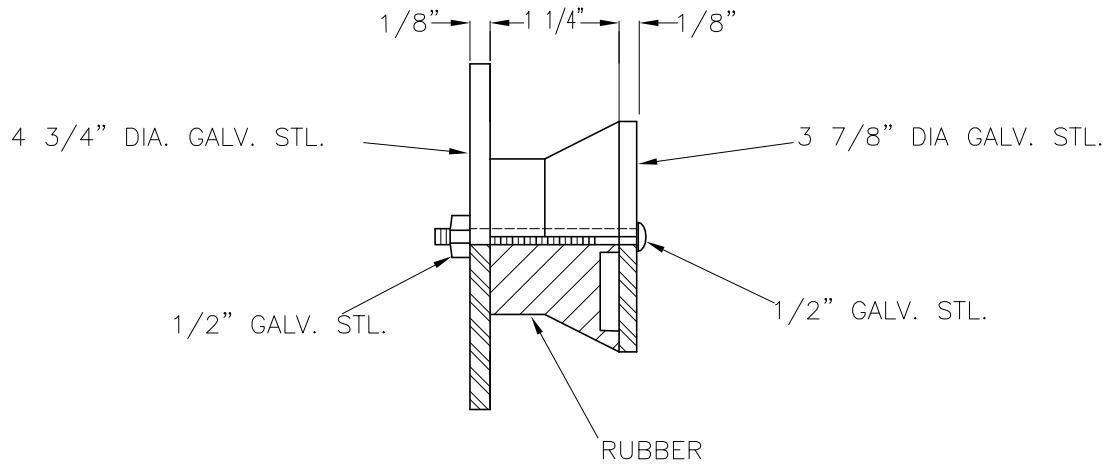
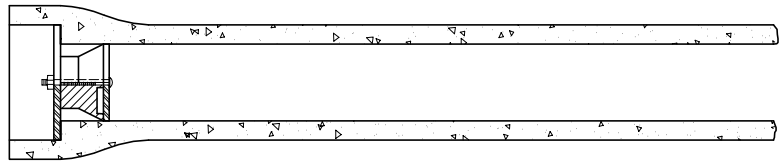


# WIRED ON PLUG



# MECHANICAL RUBBER PLUG



Approved *Karl O. Shuster* City Engineer 1-7-98 Date

CITY OF SALEM  
DEPARTMENT OF PUBLIC WORKS

| No. | Description         | Date | By | Appr. |
|-----|---------------------|------|----|-------|
|     | CONVERT TO CAD DWG. |      |    |       |
|     | REVISION            |      |    |       |

STANDARD PLAN  
PLUG FOR NEW SAN. SEWER

DRAWN BY GS  
CHECKED BY D.W.

**NO. 109**