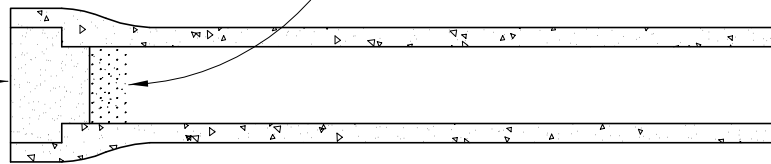


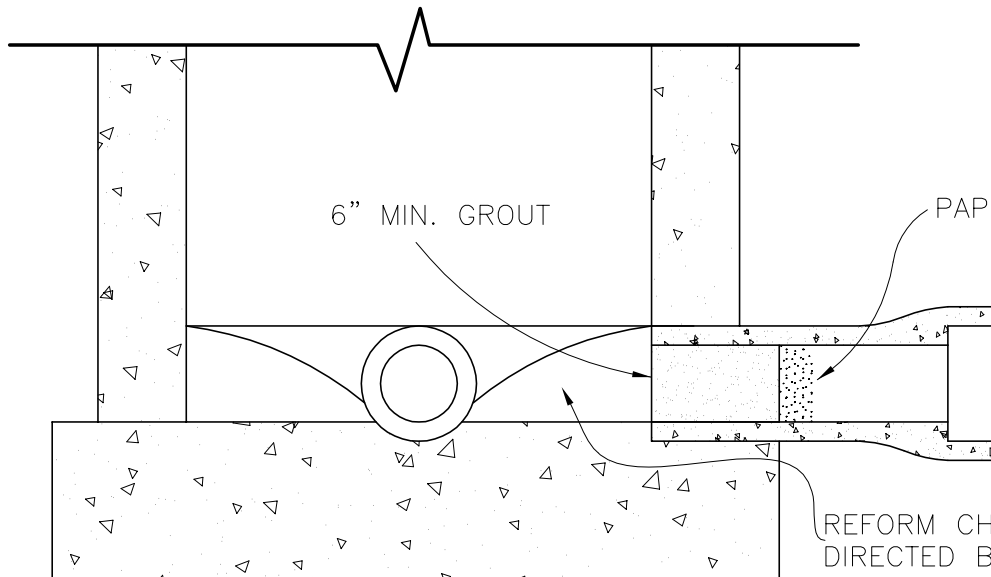
6" MIN. GROUT

PAPER PLUG



6" MIN. GROUT

PAPER PLUG



REFORM CHANNEL AS DIRECTED BY ENGINEER

NOTE:
THIS DRAWING DEPICTS CONCRETE PIPE.
USE MECHANICAL PLUGS WHEN ABANDONING PLASTIC PIPES.

Approved *Karl O. Guster* 9-15-99
City Engineer Date

CITY OF SALEM
DEPARTMENT OF PUBLIC WORKS

STANDARD PLAN
PLUGS FOR ABANDONING
SANITARY SEWER

No.	Description	Date	By	Appr.
	CONVERT TO CAD DWG.			
	REVISION			

DRAWN BY GS
CHECKED BY D.W.

NO. 110